

PVC Powder Processing & PVC-CaCo₃ Powder Handling

THEREC ENGINEERING & CONSULTING CO.,LTD.

THEREC PROCESSING MACHINE CO.,LTD

Designer of Material handling System & Process for **PVC & CaCo₃**



Manufacturer & Importer of Plastic Powder Handling, Machines, Equipment & Components



Therec Engineering & Consulting Co, Ltd.

Tel (662) 893 9003-4 (5 lines)

Fax : (662) 893 9005 ,893 9178

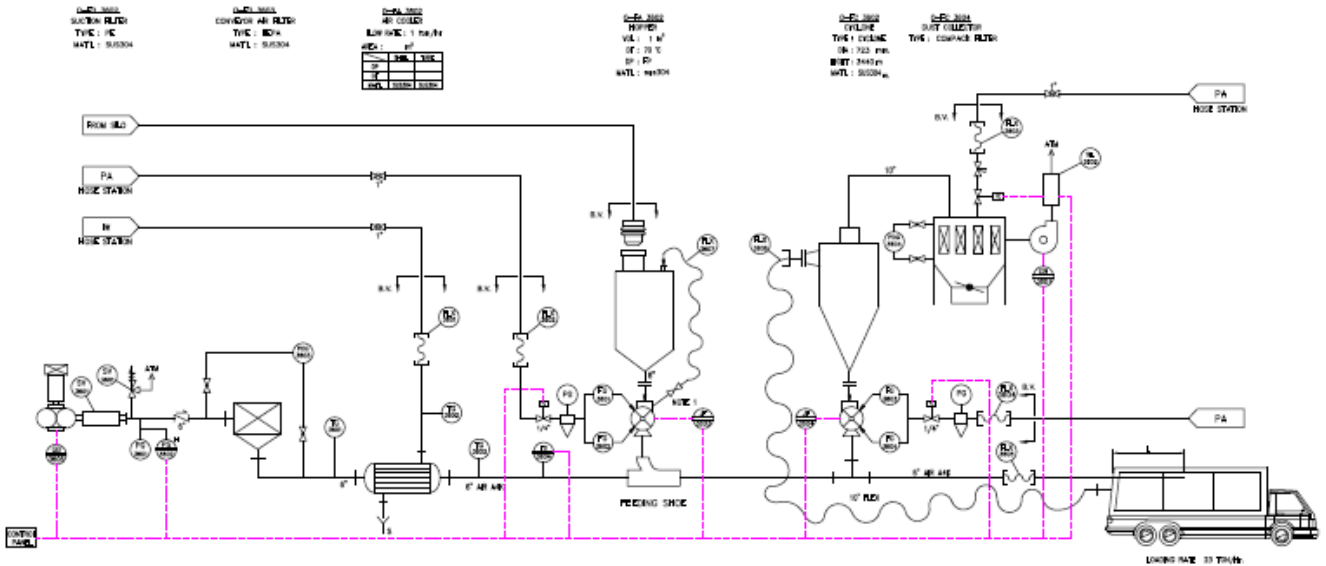
88 Soi Karnjanapisek 4/2 Karnjanapisek Rd. Bangbon Bangkok 10150 Thailand

www.thereceng.com

Sugar Processing TRE&C 01 / 2018

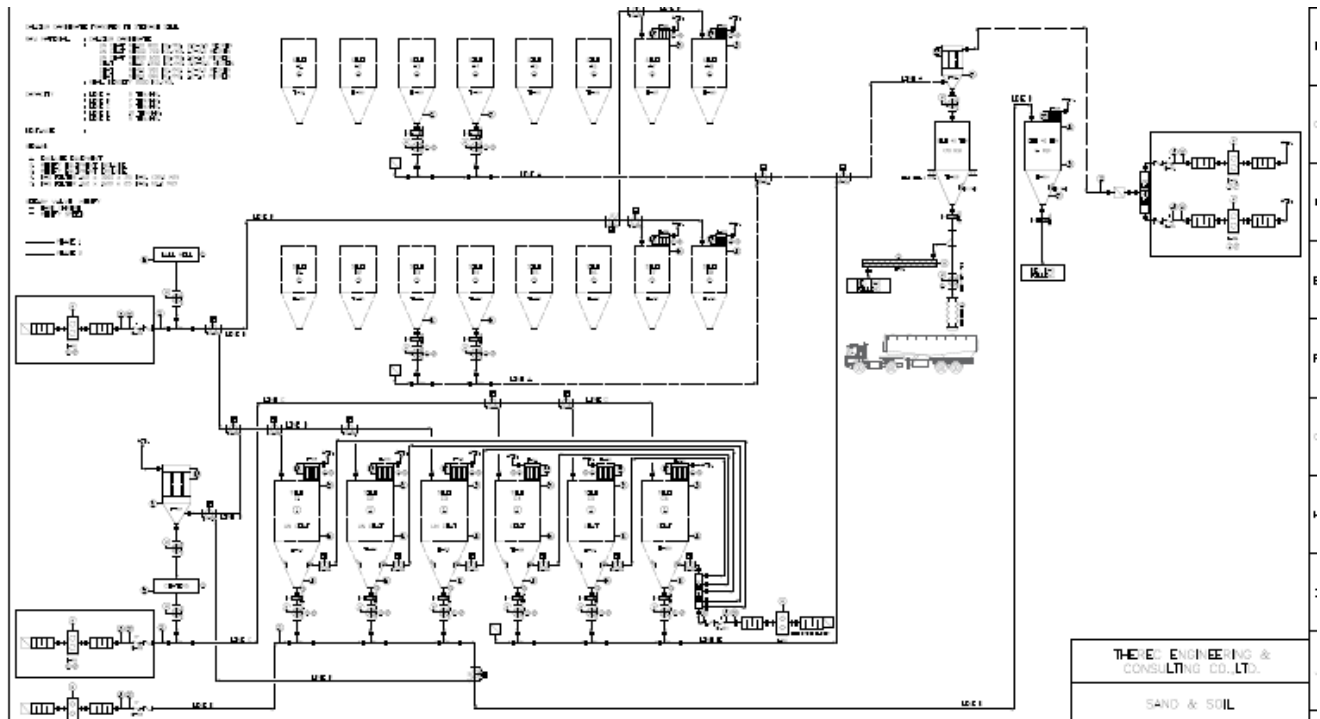
PVC & CaCO₃ Silo Loading & Unloading Systems
PVC & CaCO₃ Pneumatic Conveying & Bulk truck loading system
 Air cooling for **PVC** temperature control
PVC, CaCO₃ & Additive Weighing, Dosing, and Mixing Systems
PVC, CaCO₃ Big bag unloading and filling system
 Computerized Automatic & SCADA control system

PVC container truck feeding system



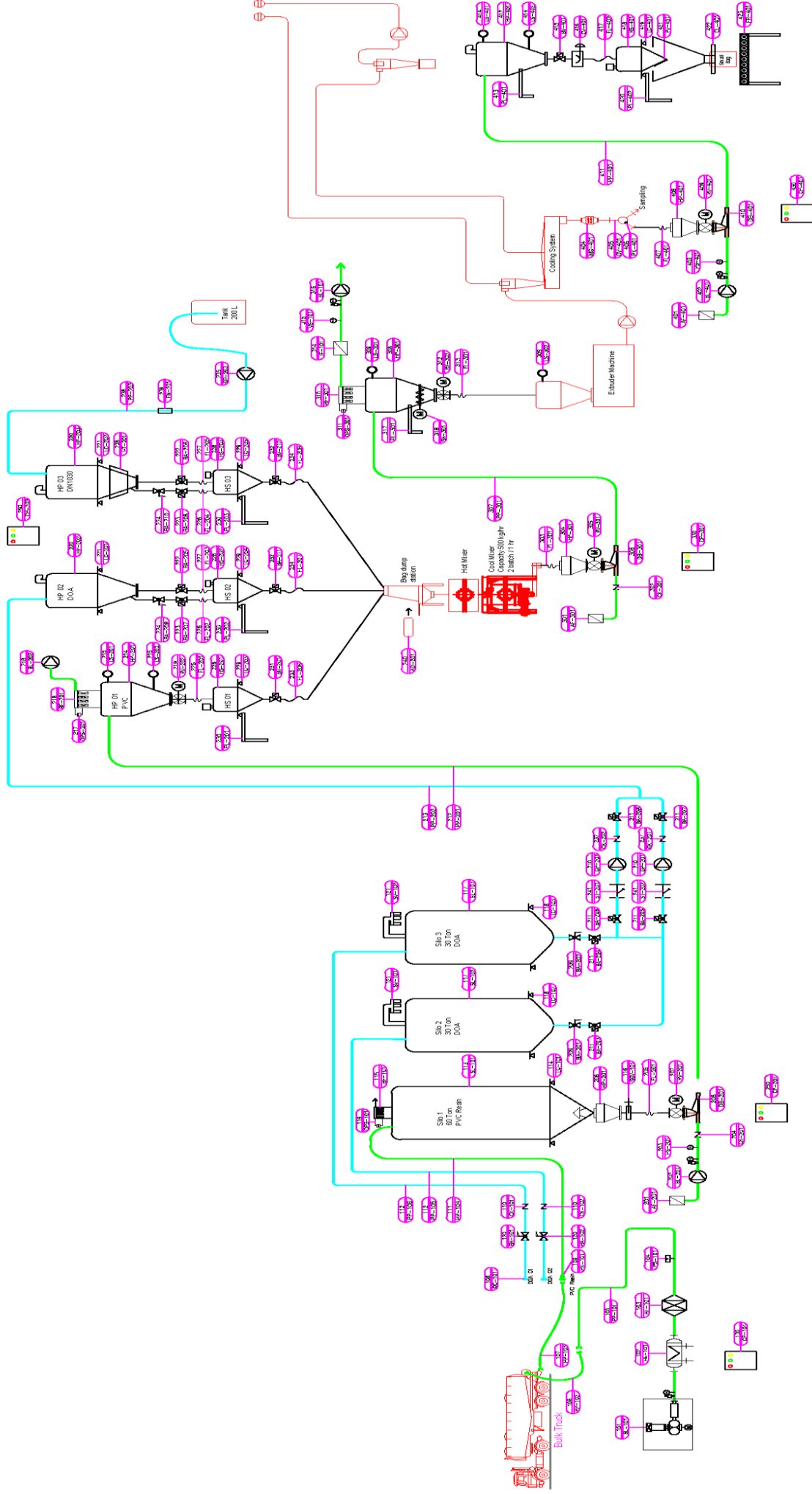
Picture from the system of TPC

CaCO₃ Bulk truck loading system



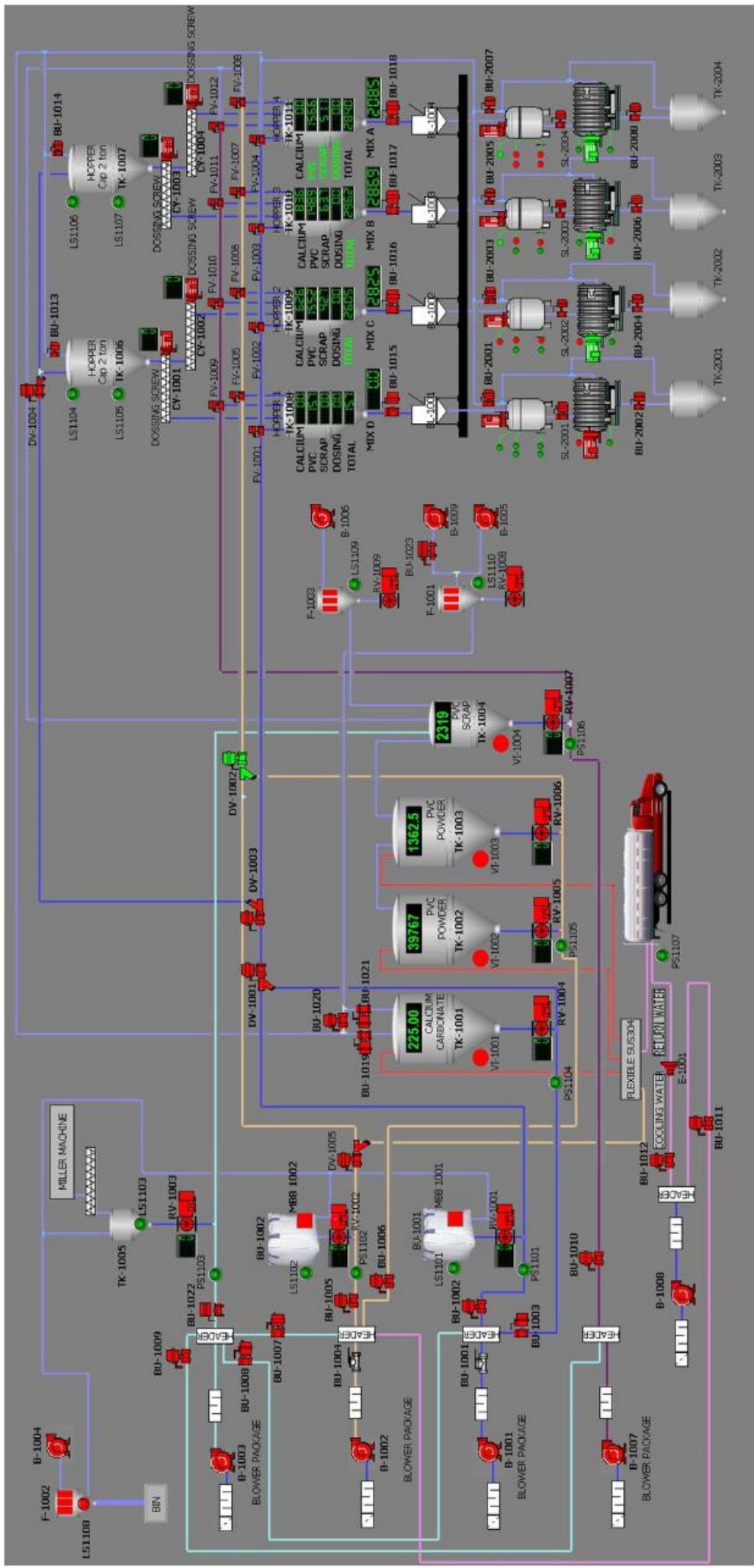
Picture from the new design line of Sand & Soil





PVC- DOA-PN1030 Silo loading ,Process feeding, Weighting & Mixing





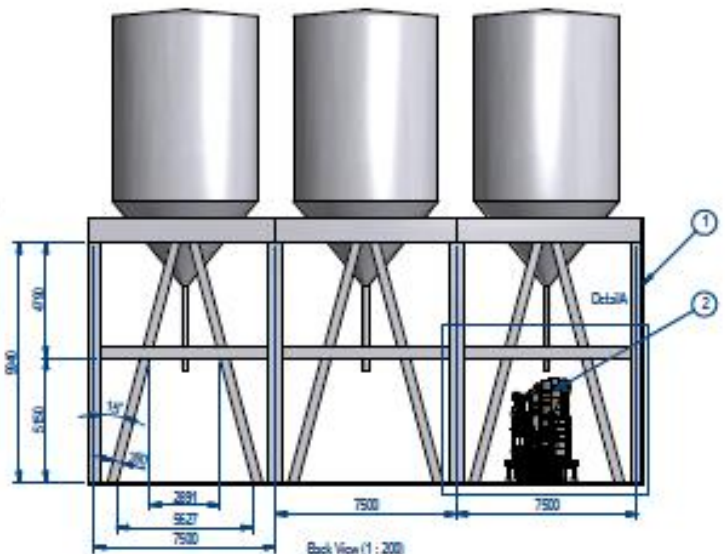
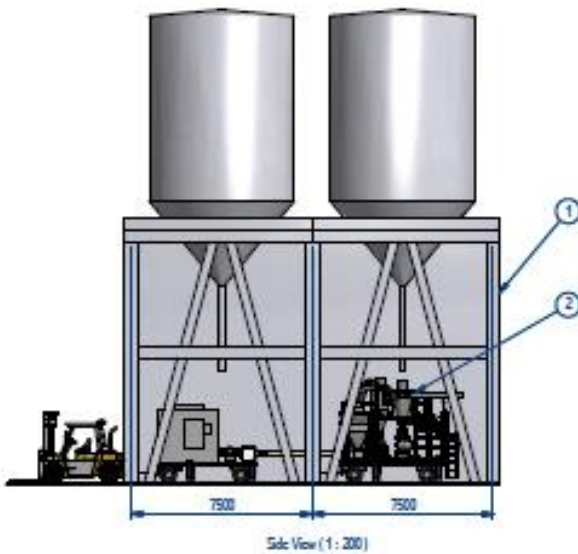
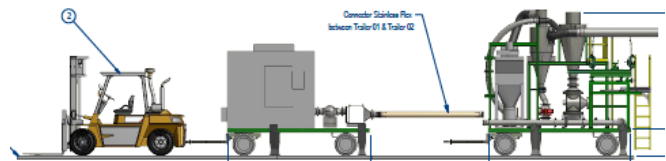
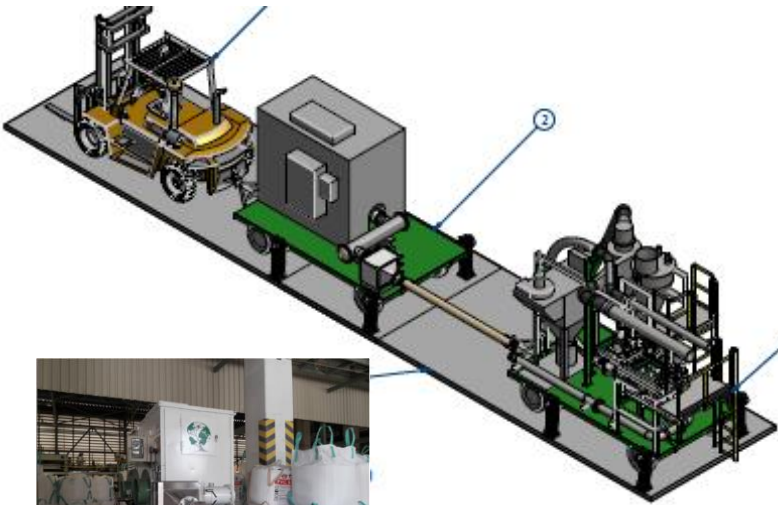
Picture from the new design line of PVC Pipe
Factory



PVC-Scrap-CaCO₃ Silo loading, Process feeding, Weighting & Mixing

www.thereceng.com

Therec Engineering & Consulting Co., Ltd.

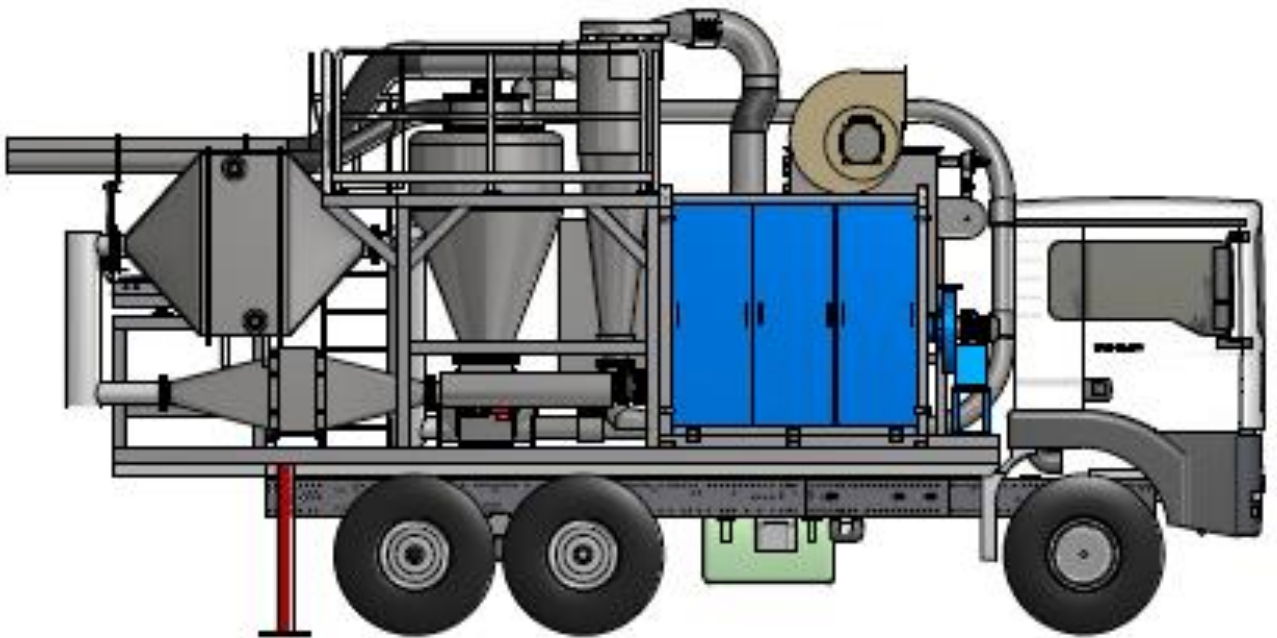


Sea Bulk loading system (PVC Powder) SCG Chem (TPC) Warehouse

The total system consisting of :

- 1 of 18.0 tons Pneumatic conveying systems
- 1 of Fixed feeding gun for container truck, 4 directions and swing
- 1 of High pressure Roots blower 45kw / 60.0 hp
- 1 of Cyclone for dust controlling system, with 1,300 m³ centrifugal fan
- 1 of Bag filters for dust controlling system, with 1,300 m³ centrifugal fan
- 2 of Heavy duty air lock rotary valves (powder valve), Stainless steel 304
- 1 Carbon steel air cooler , air to water (cooling tower water) type
- 1 Stainless steel housing in line air filter , Mini plete element
- 1 of Electrical control box, with Mitsubishi PLC

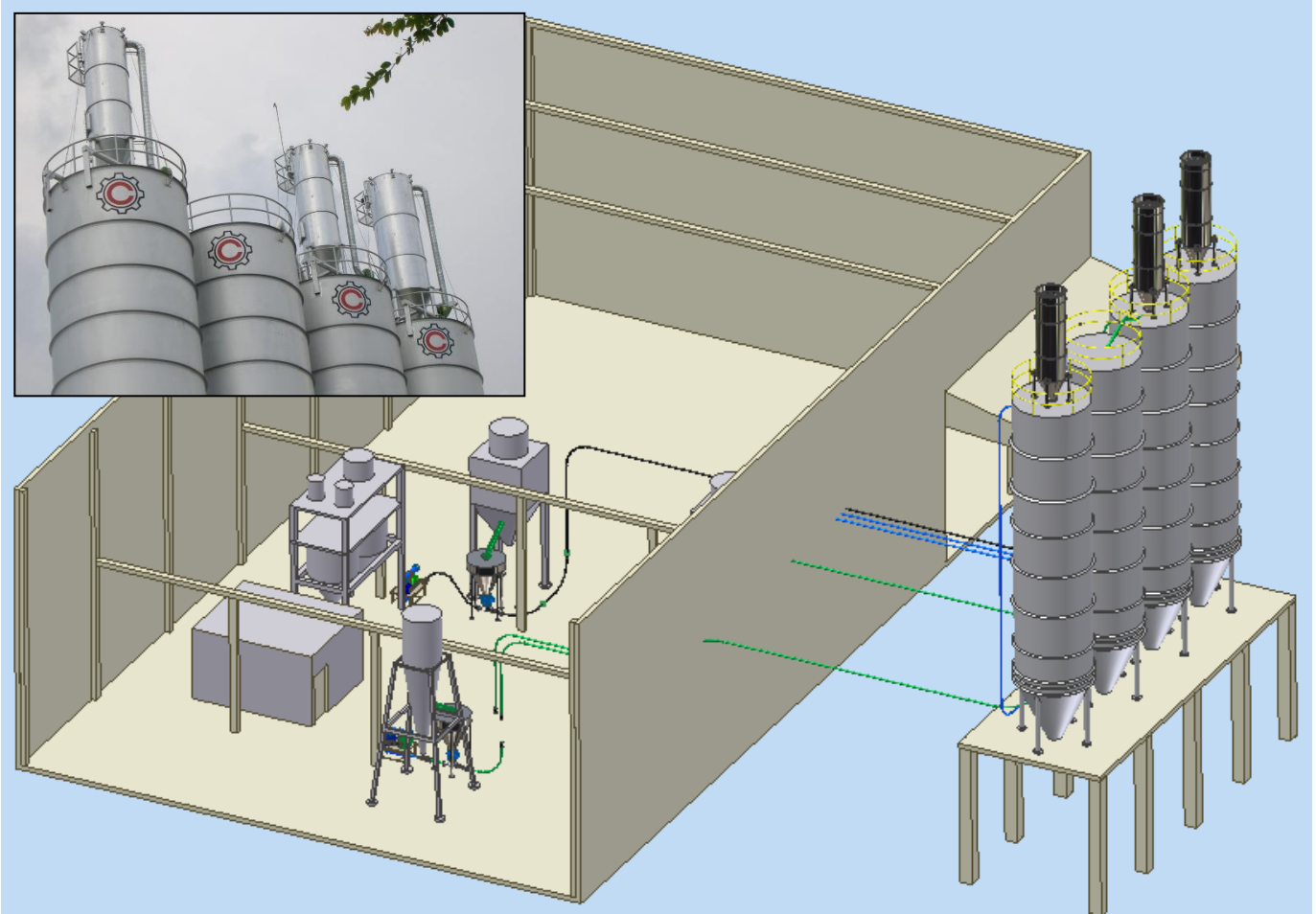




Sea Bulk loading system (PVC Powder) SCG Chem (TPC) Warehouse

The total system consisting of :

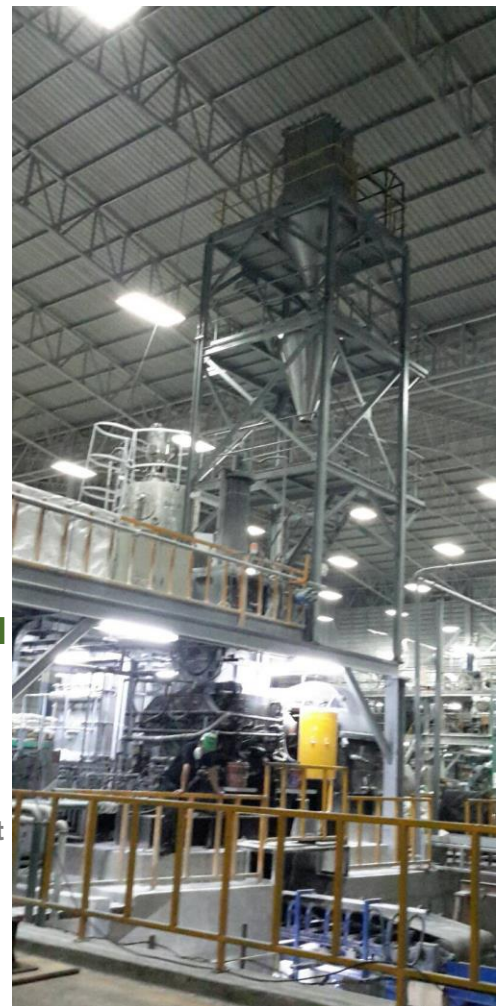
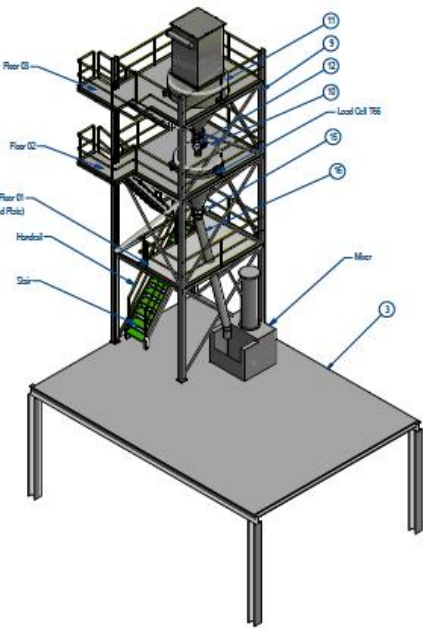
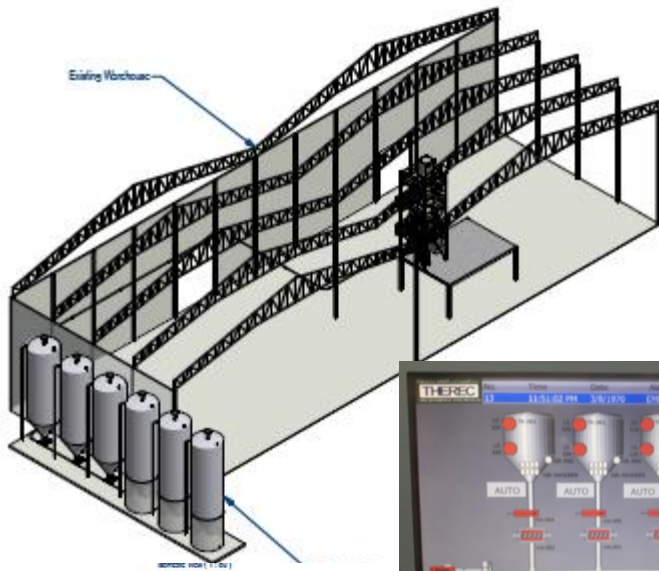
- 1 of 18.0 tons Pneumatic conveying systems
- 1 of Fixed feeding gun for container truck, 4 directions and swing
- 1 of High pressure Roots blower 37kw / 50.0 hp
- 1 of Cyclone for dust controlling system, with 1,300 m³ centrifugal fan
- 1 of Bag filters for dust controlling system, with 1,300 m³ centrifugal fan
- 2 of Heavy duty air lock rotary valves (powder valve), Stainless steel 304
- 1 Stainless steel air cooler , air to water (cooling tower water) type
- 1 Stainless steel housing in line air filter , HEPPA element
- 1 of Electrical control box, with SEMENS LOGO PLC



Storage silos loading system (CaCO_3 Powder) Chinchana Co.,Ltd., Lopburi

The total system consisting of :

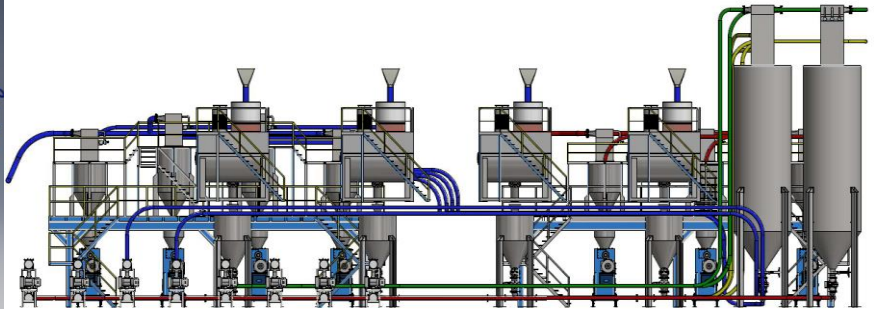
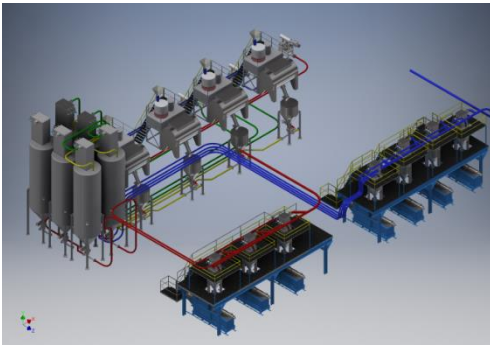
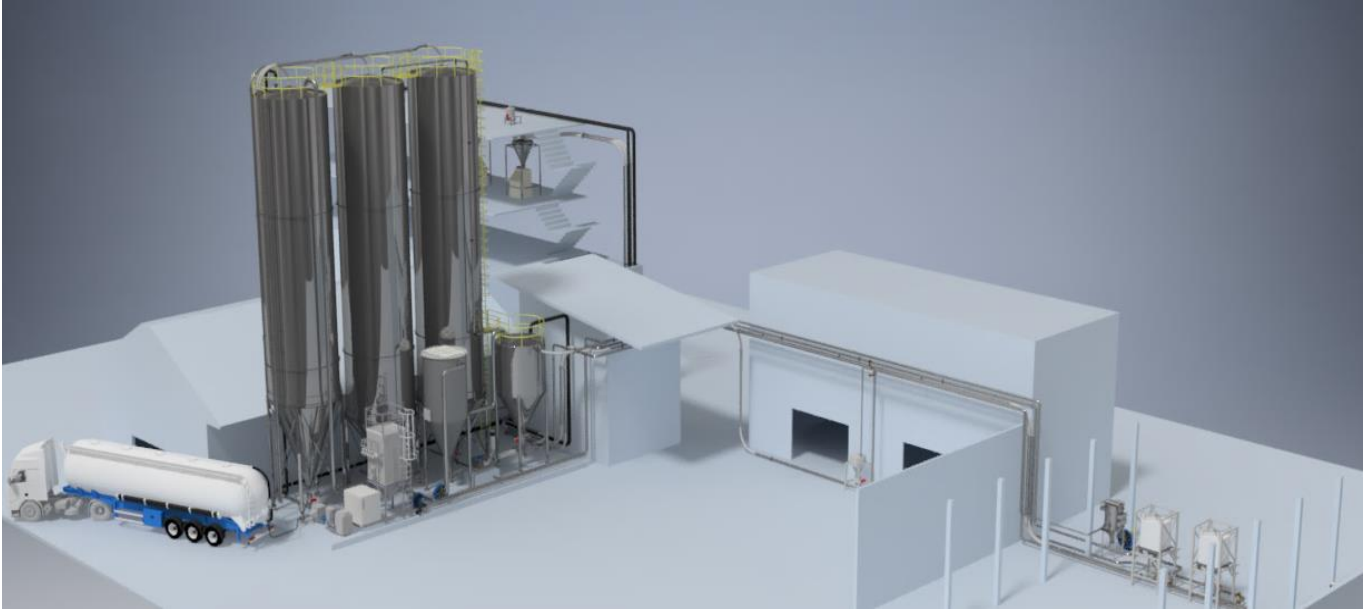
- 1 of 6.0 tons Pneumatic conveying systems
- 1 of High pressure Roots blower 37kw / 50.0 hp
- 3 of Bag filters for dust controlling system, with 1,000 m³ centrifugal fan
- 3 of Heavy duty air lock rotary valves (powder valve), Carbon steel hard chromed
- 1 of Electrical control box, with SEMENS LOGO PLC



PE Plastic bag (CaCa₃) processing system / TPBI

The total system consisting of :

- 3 of 30.0 m³ Stainless steel AISI304 Silos
- 2 of 2.0 m³ Carbon steel weighting hoppers
- 1 of 200 kg Weighting system with anti vibrating load cell set
- 1 of 1.2 tons Pneumatic conveying systems
- 1 of High pressure Roots blowers 5.5 kw
- 3 of Heavy duty air lock rotary valves , SUS304
- 1 of Volumetric dosing machine/ with dosing rotary valves combination system accuracy at +/- 0.5%
- 1 of Bag filters for dust controlling system SUS 304
- 1 Complete operation plate form / 100% Knock down type
- 1 of Electrical control box, with SEMENS S7 1200 PLC with SIEMENS touch screen ,and SCADA system



PVC pipe (PVC resin, PVC scrap and CaCa_3) / Twin Lion

The total system consisting of :

- 3 of 200.0 m³ Stainless steel AISI304 Silos
- 1 of 20.0 m³ Stainless steel silos
- 4 of 1.0 m³ Carbon steel weighting hoppers
- 1 of 300 kg Weighting system for 3 types of raw material to 4 ribbon mixers with 10 formulas of raw material mixing , automatic memories operation with adjustable page ,allow only the authorized person with pass word add and renew
- 5 of 5.0 tons Pneumatic conveying systems
- 2 of Big bag unloading stations
- 4 of High pressure TurboTron blowers 30 kw
- 1 of Truck blower for bulk truck to silos 50 kw
- 7 of Heavy duty air lock rotary valves , Carbon steel body with hard chromed
- 12 of Scale valves for Weighting system
- 4 of Volumetric dosing machine/ with dosing rotary valves
- 2 of Bag filters for dust controlling system
- 1 of Electrical control box, with SIEMENS S7 1200 PLC with SIEMENS touch screen ,and SCADA system





High pressure Roots blower Package with Acoustic Enclosure for PVC Bulk truck to Silo loading line with air cooler unit



PVC Bulk truck ,silo feeding system 18 Tons / hr



PVC & CaCO₃ Bulk Bag , Silo feeding system, 5 Tons / hr

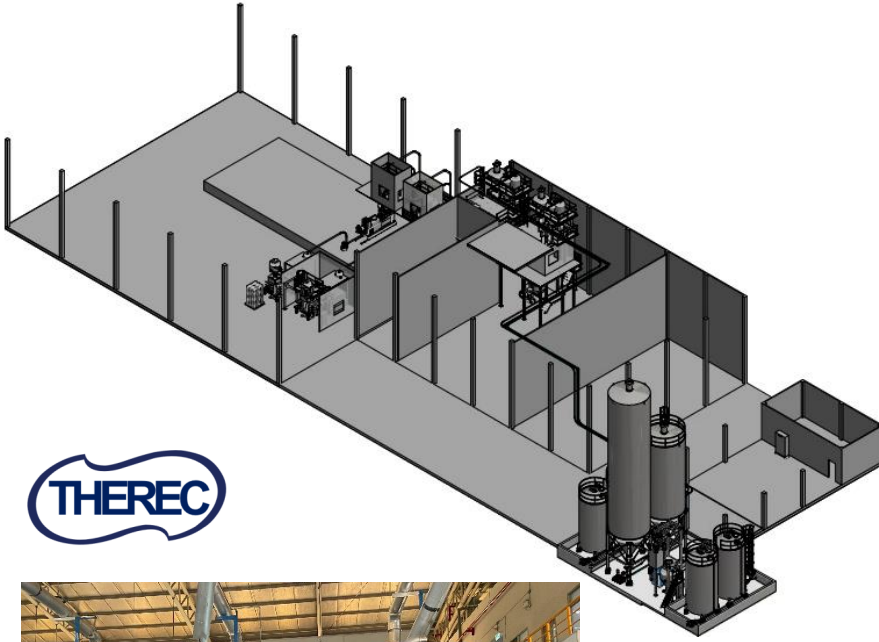


PVC & CaCO₃ Bulk Bag , Unloading station / Fork lift type



PVC & CaCO₃, Silos weight monitoring system

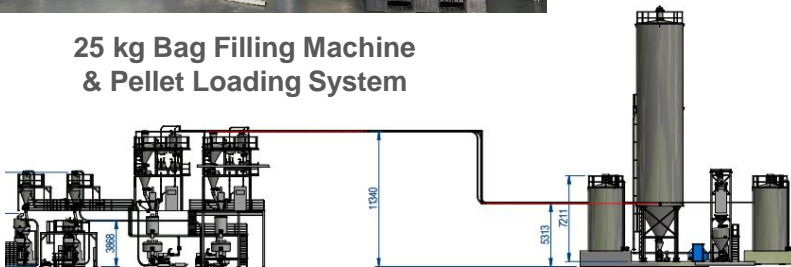
Therec Engineering & Consulting Co., Ltd.



**Bulk Bag Unloading System
for Main Silos Loading**



**25 kg Bag Filling Machine
& Pellet Loading System**



PVC pipe (PVC resin, DOA & PN1030) / Hymix Co.,Ltd

The total system consisting of :

- 1 of 100.0 m³ Stainless steel AISI304 Silos for PVC resin
- 2 of 30.0 m³ Stainless steel silos for DOA
- 3 of 1.0 m³ Stainless steel weighting hoppers
- 2 of 1.5 tons Pneumatic conveying systems
- 2 of receiving hopper for PVC and dry mix
- 3 of High pressure Roots blowers 11 kw
- 1 of Truck blower for bulk truck to silos 50 kw
- 2 of Heavy duty air lock rotary valves , SUS 304
- 12 of Scale valves for Weighting system
- 1 of Volumetric dosing machine/ with dosing rotary valves
- 2 of Bag filters for dust controlling system
- 1 of Electrical control box, with SEMENS S7 1200 PLC with SIEMENS touch screen ,and SCADA system

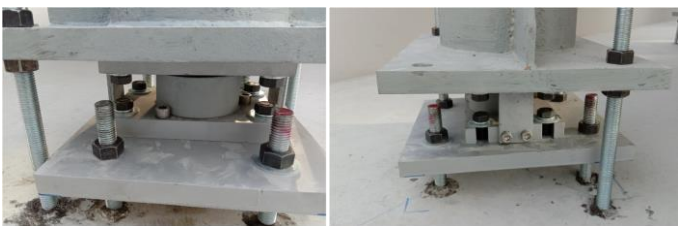


**PVC Resin, DOA, DOTP
Automatic Weighting System**





**Stainless steel 304 DOA Storage Tank,
Size 34 m³**

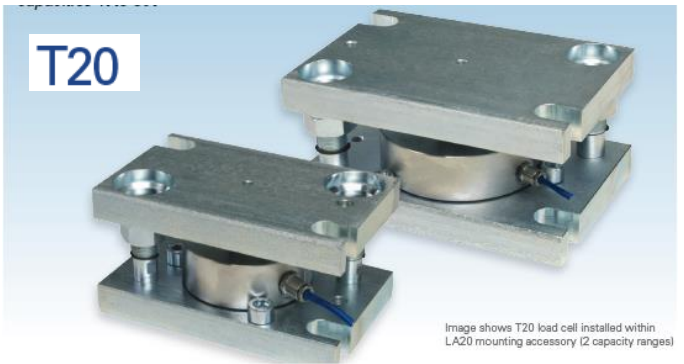


**Stainless steel 304 PVC Resin Silo,
Size 100 m³**

**PVC Silo & DOA Storage tanks /weight
monitoring system**



VC3500



T20

Image shows T20 load cell installed within LA20 mounting accessory (2 capacity ranges)

Stainless steel 304
PVC Resin Silo, Size
200 m³



PVC Powder Silo loading & Weighting system / deliver from 16 tons bulk truck

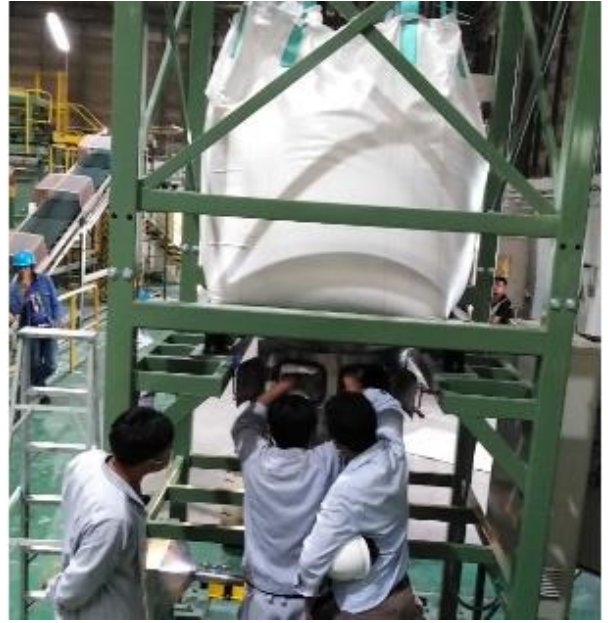


**PVC Powder Silo loading & Weighting system /
deliver from 16 tons bulk truck**



**Stainless steel 304
DOA & DOTP Tanks
Size 30 m³
With the Loading in and Pumping Out
System arrangement**





PVC 25 kg bag filling machine loading system (PVC resin) / TPC

The total system consisting of :

- 1 of 2.0 tons Pneumatic conveying systems
- 1 of Big bag unloading stations
- 1 of High pressure ring blowers 22 kw
- 2 of Heavy duty air lock rotary valves , SUS316 DMN MALD 150
- 1 of Bag filters for dust controlling system
- 1 of Electrical control box, with SEMENS LOGO



High pressure Roots blower Package for PVC conveying line



Nawa Plastic Co.,Ltd. / Saraburi
SCG Plastic Group of company



Sahaaree Co.,Ltd. / Chachengsao



Advance pipe Co.,Ltd. / Rayong
CPC Group of company

Air lock Rotary valve for PVC dry mixed



TPC / Marbtapud Rayong



Bangkok PVC Co., Ltd. /
Nakornprathom



TPC / Marbtapud Rayong



Big Bag Unloading Station
Thai Plastic and Chemical (Public)
Co.,Ltd. / TPC



ROOTS Bulk Truck blower 1.1-1.8 Bar



DMN Rotary, Diverter & Scale (weighting) Valve



DMN Scale (weighting) Valve



www.thereccorp.com

Bulk Material Handling System Integrator

Silos System Component



DMN
WESTINGHOUSE
Rotary, Diverter & Scale valve

GVF
components

Silo feeding Multi ways diverter valve

Silo pressure & vacuum valve

Cast iron and Stainless steel Slide gate valve



Vibrofluidizer

Fluidification plate PF & FLUO

Level sensor

Air Knocker



Flame Arrester
VIGILEX
Bursting panel

STIF

Jansen & Heuning
bulk handling systems

THEREC
THEREC PROCESSING MACHINE CO., LTD.

MORRIS
COUPLING COMPANY



Silo Vent Bag filter

Long Bend & Coupling

Silo Loading Bellow

Roots
Silo Feeding Blower



Low profile mounting assembly

Install and Removal without lifting tool

Silo mount ,Atex & IECEx Certification

Smart Digital Display

Junction box

Thames Side

Therec Engineering & Consulting Co, Ltd. www.thereceng.com
Tel (662) 893 9003-4 (5 lines) Fax : (662) 893 9005 ,893 9178
88 Soi Karnjanapisek 4/2 Karnjanapisek Rd. Bangbon Bangkok 10150 Thailand
General product Therec 01 / 2021

บ.เทอร์เรค เอ็นจิเนียริง & คอนซัลแตนท์ จำกัด
THEREC
THEREC ENGINEERING & CONSULTANT CO.,LTD.